



# ONESTAR

OUTDOOR AUTOMATION KIT FOR SWING GATES  
UP TO MAX 1.8 M. PER LEAF



MADE IN  
ITALY

***motostar***

S M A R T H O M E

# The Kit ONESTAR

**ONESTAR** is the ideal automation system for small, single leaf swing gates up to 1.8 m in length. All that is required is a pillar of just 80 mm in width to ensure proper installation.



## Product pluses

Electronic circuit board  
with display

Electronics with encoder

Obstacle detection system



Quality Made  
in Italy

MOTOSTAR is a comprehensive range of operators for your home, designed and manufactured in Italy. It includes gearmotors as well as control and safety accessories. It offers solutions for sliding gates, swing gates and garage doors. Each motor is rigorously tested to ensure it is reliable and operates correctly over time. MOTOSTAR also offers a residential video-entry receiver system, complete with colour monitor. MOTOSTAR, for a smart home.

Discover the entire range of MOTOSTAR products at [www.motostar-smarthome.com](http://www.motostar-smarthome.com)!

## Kit contents

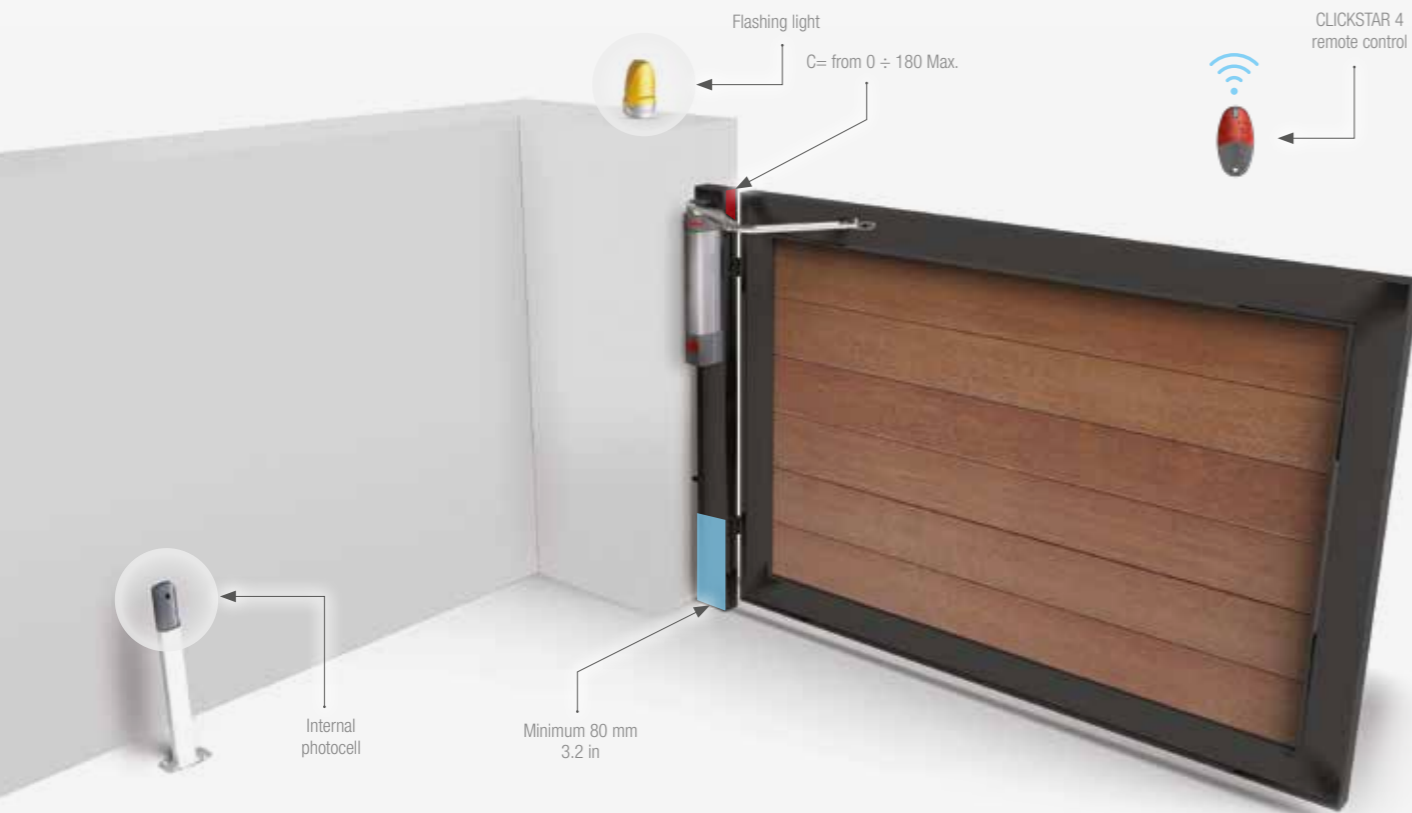
Discover the **Accessories Brochure** to complete your installation



## Gearmotor MP100

- Electronics with encoder to safely manage the safe movement of the leaf and the slow-down stages: the system accurately detects the position of any obstructions in its path during movement.
- Performs self-diagnostic of safety devices before each movement.
- Segmented display to view the programming of functions, and to perform a quick diagnosis of system functions.

## Standard installation



**1** INSTALLATION  
**VIDEO**  
FOR FREE!

**Free video tutorial**

MOTOSTAR is an automation system which is **to install and operate**. With every kit purchased, receive a free **video tutorial**!

Images are for illustration purposes only.



**3 year**  
Warranty

Sleep easy and prevent any unexpected costs caused by faults or problems with your automation system. MOTOSTAR system motors are covered by a 3 year warranty for all conformity defects.



**The security of  
24 Volt DC operation**

Systems with a 24 Volt DC motor offer maximum operating security and great adaptability in intense working conditions, as in condominium applications. In addition, the optional batteries mean the 24 Volt DC system functions in the event of a power failure.



**Easy  
installation**

Installation is fast and easy. Safety is always guaranteed through the controlled movement of the fixture, in accordance with applicable regulations on impact forces

# System specifications and functions

## Technical details

### CONTROL PANEL

ZL92

#### SAFETY FUNCTIONS

SELF-DIAGNOSTICS for safety devices	●
WAITING obstacle	●
PARTIAL STOP	●
OBSTACLE DETECTION in front of photocells	●

#### CONTROL FUNCTIONS

PEDESTRIAN OPENING 1 leaf	●
ONLY OPENS from the transmitter and/or button	●
ONLY OPEN or ONLY CLOSE button connection	●
OPEN-STOP-CLOSE-STOP from the transmitter and/or button	●
OPEN-CLOSE-REVERSE from the transmitter and/or button	●
HOLD-TO-RUN MODE	●

#### FEATURES AND ADJUSTMENTS

Output contact for 2nd RADIO CHANNEL	●
ELECTROLOCK/ELECTRIC LOCK and/or RAM OPENER connection	●
Adjustable AUTOMATIC RECLOSING TIME	●
OPENING and/or CLOSING slow-down	●
Operates with EMERGENCY BATTERIES (optional)	●
Adjustable RUNNING AND SLOW-DOWN SPEED	●
SELF-LEARNING of the opening and closing stroke	●

● 24VDC

### MOTOR

MP100

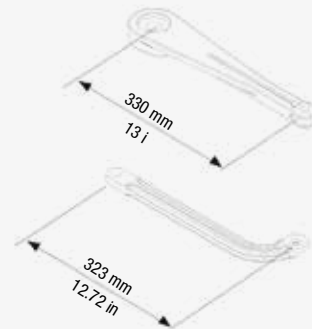
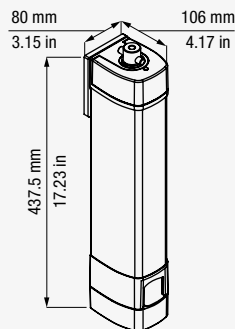
Protection rating (IP)	54
Power supply (V - 50/60Hz)	230 AC
Motor power supply (V)	24 DC
Absorption (A)	5 Max.
Power (W)	48
Opening time at 90° (s)	ADJUSTABLE
Duty cycle (%)	INTENSIVE SERVICE
Torque (Nm)	100
Operating temperature (°C/°F)	-20 ÷ +55 / -4 ÷ +131

● 24VDC

### LIMITS OF USE (MAX LENGTH OF LEAF)

0.8 m 2.6 ft	MP100 150 kg 330 lb
1.2 m 3.9 ft	MP100 125 kg 275 lb
1.8 m 6 ft	MP100 100 kg 220 lb

### Dimensions (mm/in)



All reproduction forbidden (including partial).  
MOTOSTAR reserves the right to make modifications to this document at any time.

